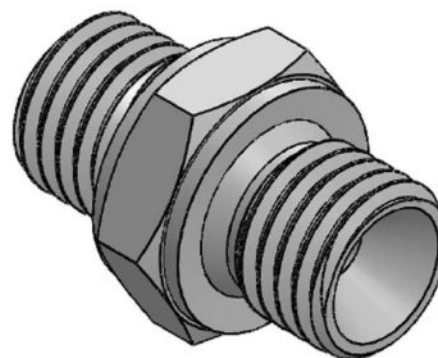
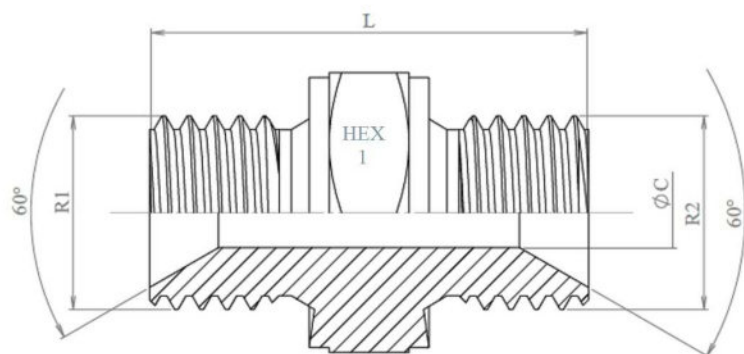


Adaptadores BSP

Uniones rectas macho

Adaptador macho - macho BSP cono 60°

Acero Inoxidable AISI 316-L



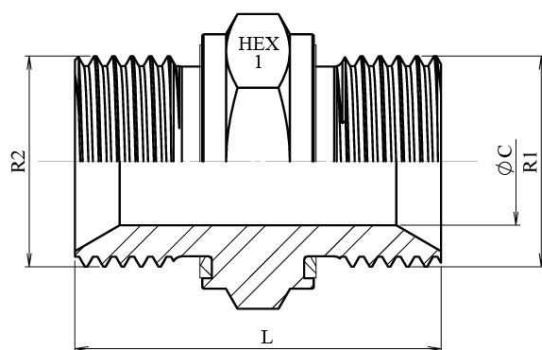
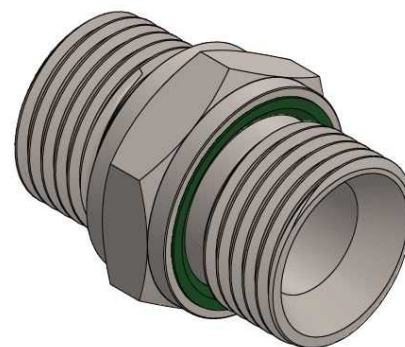
Artículo	R1	R2	L	HEX 1	ØC
Z101002	1/8" BSP	1/8" BSP	22	14	3,5
Z101004	1/4" BSP	1/4" BSP	31	17	6
Z101004H19	1/4" BSP	1/4" BSP	31	19	6
Z101006	3/8" BSP	3/8" BSP	35	22	8
Z101008	1/2" BSP	1/2" BSP	42,5	27	11
Z101010	5/8" BSP	5/8" BSP	45	30	14
Z101012	3/4" BSP	3/4" BSP	45	32	16
Z101016	1" BSP	1" BSP	53	41	22
Z101020	1"1/4" BSP	1"1/4" BSP	56	50	28,5
Z101024	1"1/2" BSP	1"1/2" BSP	61	55	33
Z101032	2" BSP	2" BSP	71	65	46
Z101032H70	2" BSP	2" BSP	71	70	46
Z101040	2"1/2" BSP	2"1/2" BSP	72	85	55
Z101048	3" BSP	3" BSP	90	100	64

Adaptadores BSP

Uniones rectas macho

Adaptador macho - macho BSP cono 60° con junta encastrada

Acero Inoxidable AISI 316-L



Artículo	R1	R2	L	HEX 1	ØC
Z101004WD	1/4" BSP	1/4" BSP	31	19	6
Z101006WD	3/8" BSP	3/8" BSP	35	22	8
Z101008WD	1/2" BSP	1/2" BSP	42,5	27	11
Z101012WD	3/4" BSP	3/4" BSP	45	32	16
Z101016WD	1" BSP	1" BSP	53	41	22

MATERIAL DE JUNTA FKM

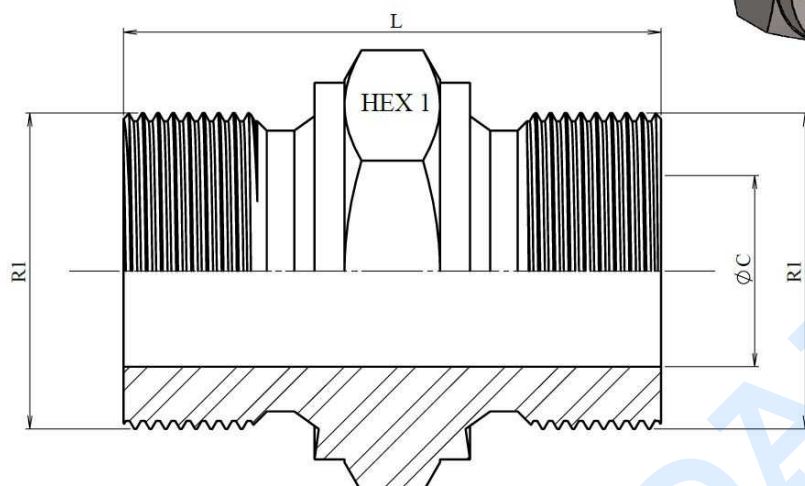
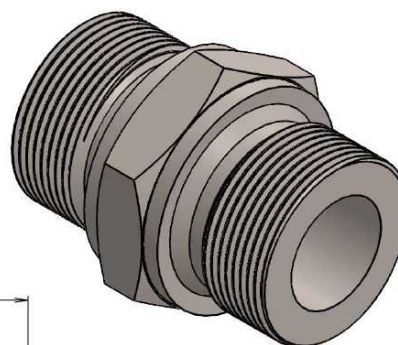
Adaptadores BSP

Uniones rectas macho

Adaptador macho - macho BSP asiento plano



Acero Inoxidable AISI 316-L



Artículo	R1	R2	L	HEX 1	ØC
Z101104	1/4" BSP	1/4" BSP	31	17	6
Z101106	3/8" BSP	3/8" BSP	35	22	8
Z101108	1/2" BSP	1/2" BSP	42,5	27	11
Z101112	3/4" BSP	3/4" BSP	45	32	16
Z101116	1" BSP	1" BSP	53	41	22
Z101120	1"1/4 BSP	1"1/4 BSP	56	50	28,5
Z101124	1"1/2 BSP	1"1/2 BSP	61	55	33
Z101132	2" BSP	2" BSP	69	65	46

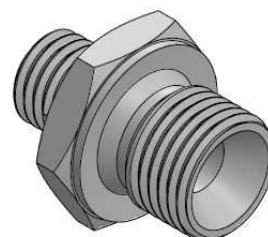
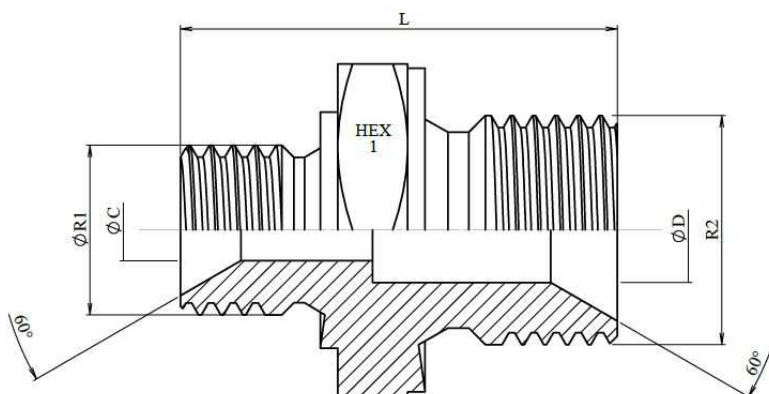
Adaptadores BSP

Uniones rectas macho

Reductor macho - macho BSP cono 60º



Acero Inoxidable AISI 316-L



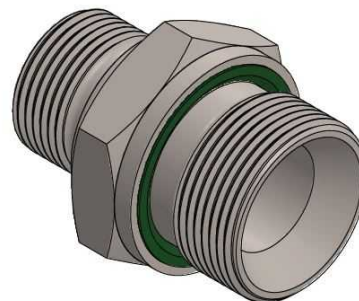
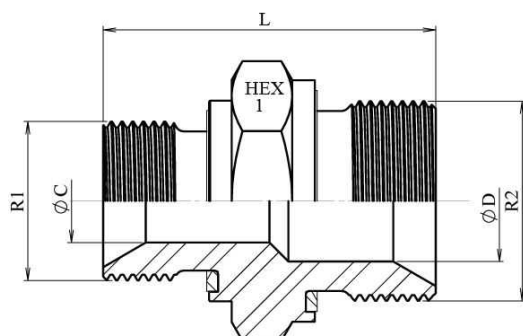
Artículo	R1	R2	L	HEX 1	ØC	ØD
Z10200204	1/8" BSP	1/4" BSP	27	17	3,5	6
Z10200204H19	1/8" BSP	1/4" BSP	27	19	3,5	6
Z10200206	1/8" BSP	3/8" BSP	30	22	3,5	8
Z10200406	1/4" BSP	3/8" BSP	22	22	6	8
Z10200408	1/4" BSP	1/2" BSP	38	27	6	11
Z10200412	1/4" BSP	3/4" BSP	39,5	32	6	16
Z10200608	3/8" BSP	1/2" BSP	39	27	8	11
Z10200612	3/8" BSP	3/4" BSP	40,5	32	8	16
Z10200616	3/8" BSP	1" BSP	45,5	41	8	22
Z10200812	1/2" BSP	3/4" BSP	44	32	11	16
Z10200816	1/2" BSP	1" BSP	49	41	11	22
Z10200820	1/2" BSP	1"1/4" BSP	50,5	50	17,5	28,5
Z10200824	1/2" BSP	1"1/2" BSP	53	55	11	33
Z10201008	5/8" BSP	1/2" BSP	44	30	14	11
Z10201012	5/8" BSP	3/4" BSP	45	32	14	16
Z10201216	3/4" BSP	1" BSP	50	41	16	22
Z10201220	3/4" BSP	1"1/4" BSP	53,5	50	16	28,5
Z10201620	1" BSP	1"1/4" BSP	56,5	50	22	28,5
Z10201624	1" BSP	1"1/2" BSP	59,5	55	22	33
Z10202024	1"1/4" BSP	1"1/2" BSP	59	55	26	32
Z10202032	1"1/4" BSP	2" BSP	64	65	28	46
Z10202432	1"1/2" BSP	2" BSP	68	65	33	46
Z10202432H70	1"1/2" BSP	2" BSP	68	70	33	46
Z10203240	2" BSP	2" 1/2" BSP	72	85	55	46
Z10203248	2" BSP	3" BSP	85	100	46	64
Z10204048	2"1/2" BSP	3" BSP	85	100	64	55

Adaptadores BSP

Uniones rectas macho

Reductor macho - macho BSP cono 60º con junta encastrada

Acero Inoxidable AISI 316-L



Artículo	R1	R2	L	HEX 1	ØC	ØD
Z10200406WD	1/4" BSP	3/8" BSP	22	22	6	8
Z10200408WD	1/4" BSP	1/2" BSP	38	27	6	11
Z10200608WD	3/8" BSP	1/2" BSP	39	27	8	11
Z10200812WD	1/2" BSP	3/4" BSP	44	32	11	16
Z10201216WD	3/4" BSP	1" BSP	50	41	16	22

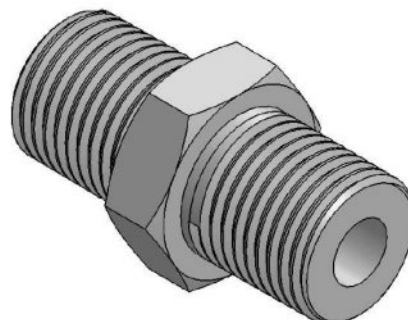
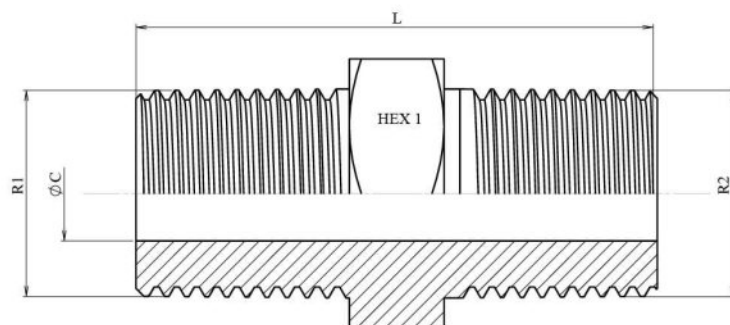
Adaptadores BSP

Uniones rectas macho

Adaptador macho - macho BSPT



Acero Inoxidable AISI 316-L



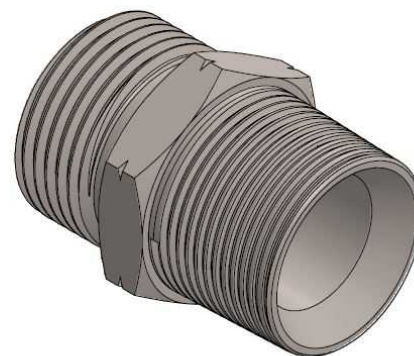
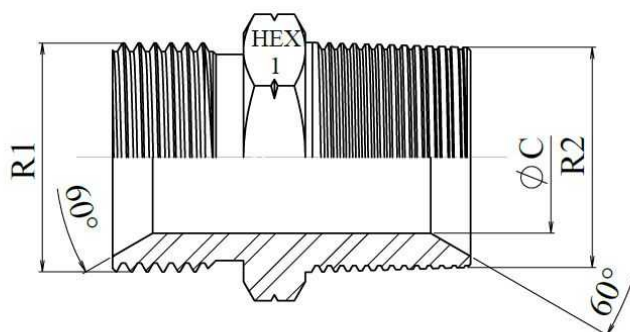
Artículo	R1	R2	L	HEX 1	ØC
Z10160402	1/4" BSPT	1/8" BSPT	30	14	6
Z10160404	1/4" BSPT	1/4" BSPT	33	14	6
Z10160406	1/4" BSPT	3/8" BSPT			
Z10160606	3/8" BSPT	3/8" BSPT	34	19	8
Z10160808	1/2" BSPT	1/2" BSPT	45	22	11
Z10161212	3/4" BSPT	3/4" BSPT	48	27	16
Z10161612	1" BSPT	3/4" BSPT	53	36	16
Z10161616	1" BSPT	1" BSPT	57	36	22
Z10162020	1" 1/4 BSPT	1" 1/4 BSPT	62	46	28,5
Z10162424	1" 1/2 BSPT	1" 1/2 BSPT	64	50	33
Z10163232	2" BSPT	2" BSPT	75	65	46

Adaptadores BSP

Uniones rectas macho

Adaptador macho BSP 60° - macho NPT

Acero Inoxidable AISI 316-L



Artículo	R1	R2	L	HEX 1	ØC	Presión trabajo (bar)
Z101402	1/8" BSP	1/8" NPT	23,5	14	3,5	700
Z101404	1/4" BSP	1/4" NPT	30,5	17	6	700
Z101406	3/8" BSP	3/8" NPT	32	19	8	700
Z101408	1/2" BSP	1/2" NPT	41.5	22	11	700
Z101412	3/4" BSP	3/4" NPT	44	27	16	600
Z101416	1" BSP	1" NPT	52	36	22	420
Z101420	1"1/4 BSP	1"1/4 NPT	56	46	28,5	420
Z101424	1"1/2 BSP	1"1/2 NPT	59	50	33	420
Z101432	2" BSP	2" NPT	66	65	46	350

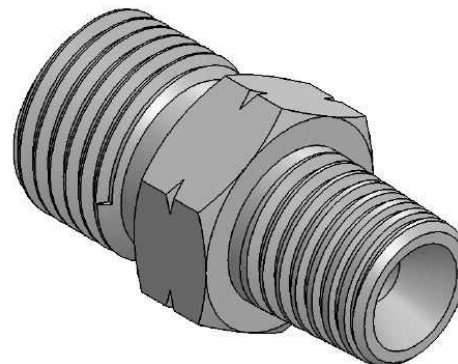
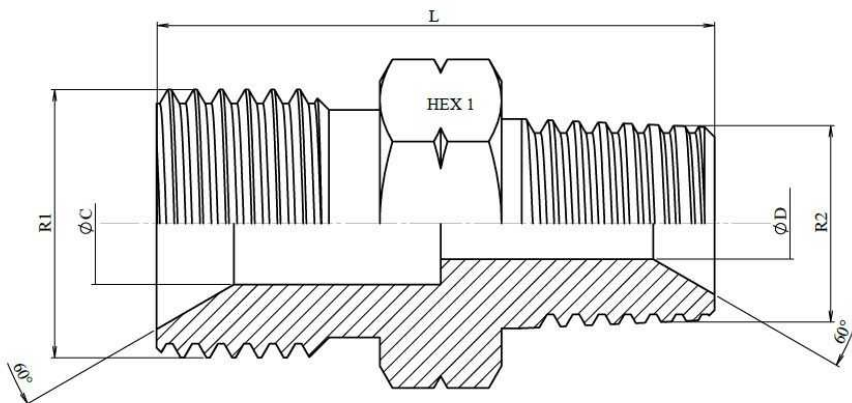
Adaptadores BSP

Uniones rectas macho

Reductor macho BSP 60º - macho NPT



Acero Inoxidable AISI 316-L



Artículo	R1	R2	L	HEX 1	ØC	ØD
Z10240204	1/8" BSP	1/4" NPT	26,5	17	3,5	6
Z10240402	1/4" BSP	1/8" NPT	27,5	14	5	5
Z10240406	1/4" BSP	3/8" NPT	32	17	6	6
Z10240408	1/4" BSP	1/2" NPT	37	22	6	11
Z10240604	3/8" BSP	1/4" NPT	32,5	19	8	6
Z10240608	3/8" BSP	1/2" NPT	38	22	8	11
Z10240612	3/8" BSP	3/4" NPT	40	27	8	16
Z10240806	1/2" BSP	3/8" NPT	35,5	22	11	8
Z10240812	1/2" BSP	3/4" NPT	42	27	11	16
Z10241012	5/8" BSP	3/4" NPT	44	27	14	16
Z10241204	3/4" BSP	1/4" NPT	37,5	27	16	6
Z10241206	3/4" BSP	3/8" NPT	38	27	16	8
Z10241208	3/4" BSP	1/2" NPT	42,5	27	16	11
Z10241216	3/4" BSP	1" NPT	50	36	16	22
Z10241220	3/4" BSP	1" 1/4 NPT	52	46	16	28,5
Z10241224	3/4" BSP	1" 1/2 NPT	53	50	16	33
Z10241608	1" BSP	1/2" NPT	47,5	36	22	11
Z10241612	1" BSP	3/4" NPT	49	36	22	17,5
Z10241620	1" BSP	1" 1/4 NPT	55	46	22	28,5
Z10242016	1" 1/4 BSP	1" NPT	54	46	28,5	22
Z10242024	1" 1/4 BSP	1" 1/2 NPT	58	50	28,5	33
Z10242420	1" 1/2 BSP	1" 1/4 NPT	58	50	33	28,5
Z10242432	1" 1/2 BSP	2" NPT	63	65	33	46
Z10243224	2" BSP	1" 1/2 NPT	66	65	46	33

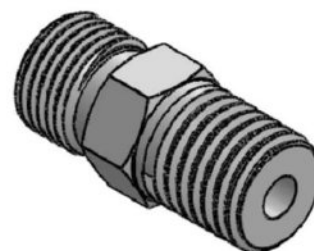
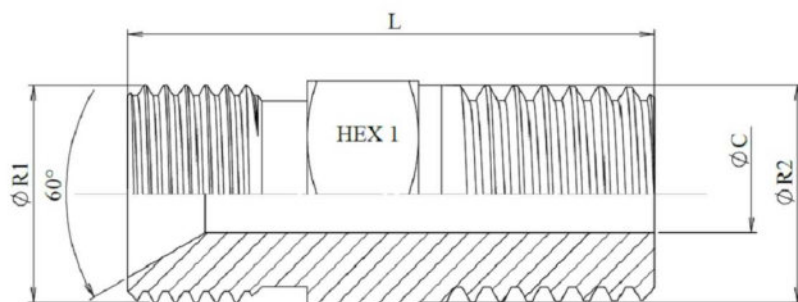
Adaptadores BSP

Uniones rectas macho

Adaptador macho BSP 60° - macho BSPT



Acero Inoxidable AISI 316-L



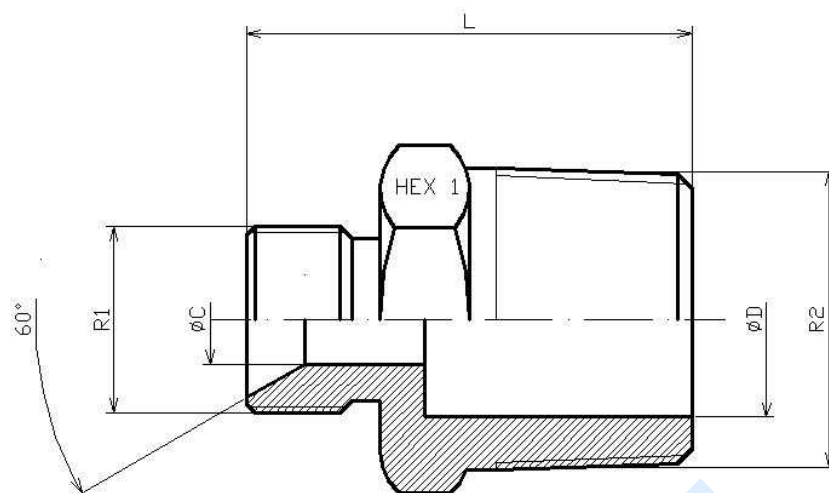
Artículo	R1	R2	L	HEX 1	ØC
Z101202	1/8" BSP	1/8" BSPT	23,5	14	3,5
Z101204	1/4" BSP	1/4" BSPT	30,5	17	6
Z101206	3/8" BSP	3/8" BSPT	32	19	8
Z101208	1/2" BSP	1/2" BSPT	38	22	11
Z101212	3/4" BSP	3/4" BSPT	44	27	16
Z101216	1" BSP	1" BSPT	52	36	22
Z101220	1"1/4 BSP	1"1/4 BSPT	56	46	28
Z101224	1"1/2 BSP	1"1/2 BSPT	61	50	37
Z101232	2" BSP	2" BSPT	66	65	46

Adaptadores BSP

Uniones rectas macho

Reductor macho BSP 60° - macho BSPT

Acero Inoxidable AISI 316-L



Artículo	R1	R2	L	HEX 1	ØC	ØD
Z10220204	1/8" BSP	1/4" BSPT	28,5	17	3,5	8
Z10220402	1/4" BSP	1/8" BSPT	27,5	17	5	5
Z10220406	1/4" BSP	3/8" BSPT	31	19	6	6
Z10220408	1/4" BSP	1/2" BSPT	37,5	22	6	6
Z10220412	1/4" BSP	3/4" BSPT	41	27	5	18
Z10220608	3/8" BSP	1/2" BSPT	38,5	22	8	8
Z10220612	3/8" BSP	3/4" BSPT	40	27	8	17,5
Z10220804	1/2" BSP	1/4" BSPT	35,5	22	11	6
Z10220806	1/2" BSP	3/8" BSPT	36	22	11	8
Z10220812	1/2" BSP	3/4" BSPT	42	27	11	17,5
Z10220816	1/2" BSP	1" BSPT	47	36	11	22
Z10221012	5/8" BSP	3/4" BSPT	44	27	14	14
Z10221204	3/4" BSP	1/4" BSPT	37,5	27	17,5	6
Z10221206	3/4" BSP	3/8" BSPT	38	27	17,5	8
Z10221208	3/4" BSP	1/2" BSPT	42,5	27	17,5	11
Z10221216	3/4" BSP	1" BSPT	49	36	17,5	22
Z10221612	1" BSP	3/4" BSPT	48	36	22	17,5
Z10221620	1" BSP	1"1/4 BSPT	55	46	22	26
Z10222016	1"1/4 BSP	1" BSPT	54	46	26	22
Z10222024	1"1/4 BSP	1"1/2 BSPT	57	50	26	32
Z10222420	1 1/2" BSP	1 1/4" BSPT	58	50	30	30
Z10222432	1"1/2 BSP	2" BSPT	66	65	32	46